

## STEAM ROOM G248

## INSTRUCTIONS FOR THE INSTALLATION



## Installation steps for steam room G248:

1) User firstly should install inlet tubes for cool and hot water, and install the drainpipe, three-hole outlets etc. As fig. 1.

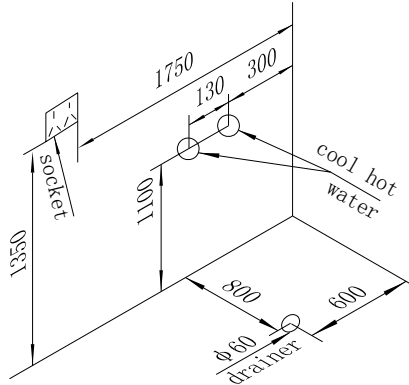


Fig. 1

2) Equip the wall body — put the left wall, the left light pillar, the middle wall and the right light pillar, the right wall vertically to the level ground with soft cloth of cushion(as fig. 2), connect these five pieces as a whole through the corresponding hole in each of them with M6x25 bolts, make up the wall assembly. (Notice: don't tighten the bolt temporary)

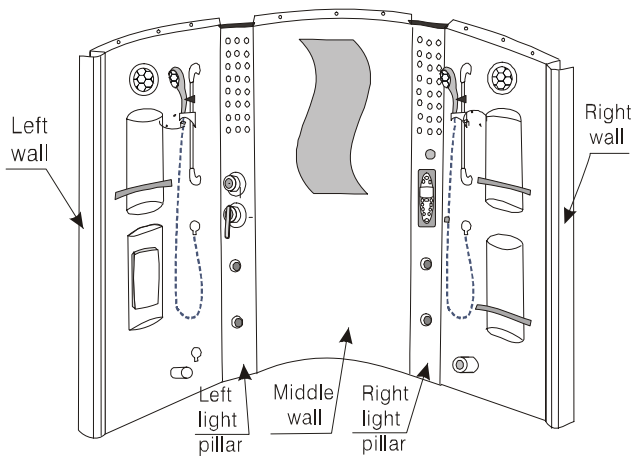


Fig. 2

3) Move the basin to the scheduled position, level it with the level gauge. The level gauge should be two each other vertical positions at least, make the air of the level gauge in the center through regulating the adjustable bolt under the basin. After leveling, screw the adjustable nut tightly. Move the basin that has been leveled to the place about 400mm apart to the wall. Put the wall assembly on the bathtub; join them with M6x25 bolts through the corresponding holes. Fig. 3

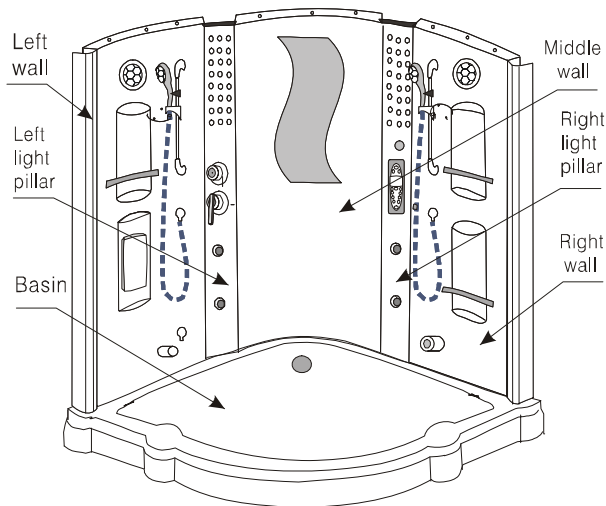


Fig. 3

4) Install the glass assembly

(a) Install the lower rail—Inserted the connector of the lower rail into the notch at the under parts of the two pillars, fasten them tightly with 2 M5x20 hexagonal bolts from the inside of the pillars.

(b) Install the fixed glass and the upper rail—Make two fixed glass inserted in the notch of the two pillars and the lower rail respectively, and Insert the connector of the upper rail into the notch at the upper parts of the two pillars, fasten them tightly with two M5x20 hexagonal bolts from the inside of the pillars.

(c) Install the sliding glass door—Penetrate the eccentric wheel into the holes of the sliding door, Pay attention to soft gaskets at both sides, tweak the screw nut slight tightly, And then hang up the sliding door to the notch of the upper and the lower rail. And adjust eccentricity to make the sliding door parallel, vertically. The under parts of the sliding door is apart from the basin about 3 to 8mm. After sliding freely, screw the nut tightly. Make up the glass assembly. Fig. 4

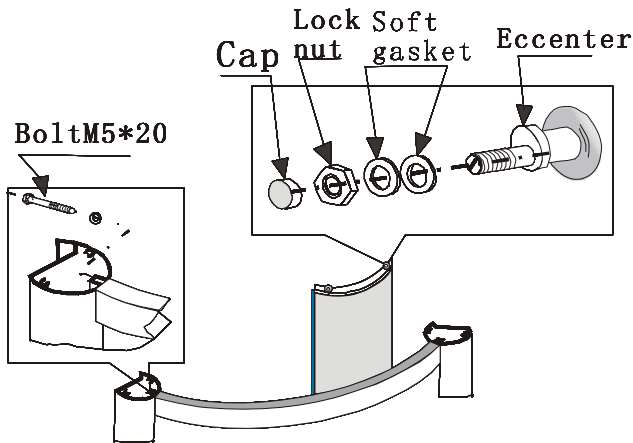


Fig. 4

- 5) Connect the glass assembly and the wall assembly with the basin by bolts. Don't tighten the bolts temporary.
- 6) Install both sides glass:
 

First move the glass doorframe to the installation position, insert the side glass into the aluminium alloy notch of the wall assembly, make the upper and the below side cling to the big pillar with short plastic strip, and the side with holes with long 1# plastic strip. Put the side glass penetrate through the glass clip, tighten it with the sink bolt. Insert 2# plastic strip into the aluminium alloy notch. Fig. 5

3

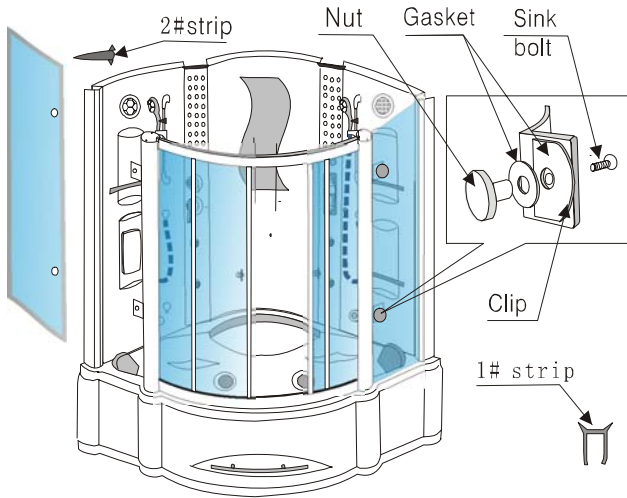


Fig. 5

7) Install the top cover

Put the top cover on the wall assembly and the glass assembly, connect the wall assembly with the top cover through the corresponding hole with M6x 25 hexagonal bolts, and then connect the top cover with the upper rail of the glass door with the M6x20 bolt.

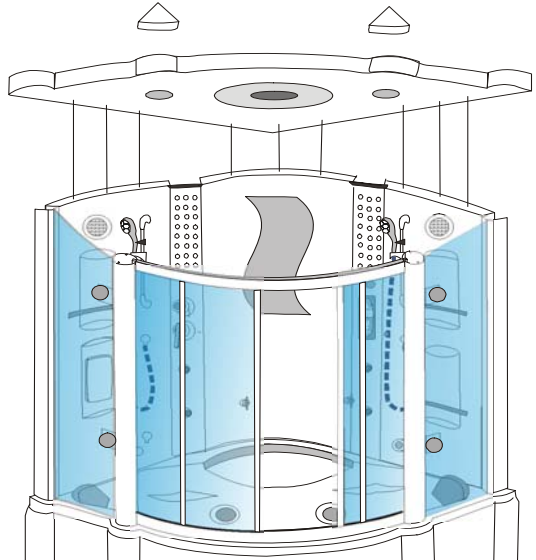


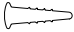
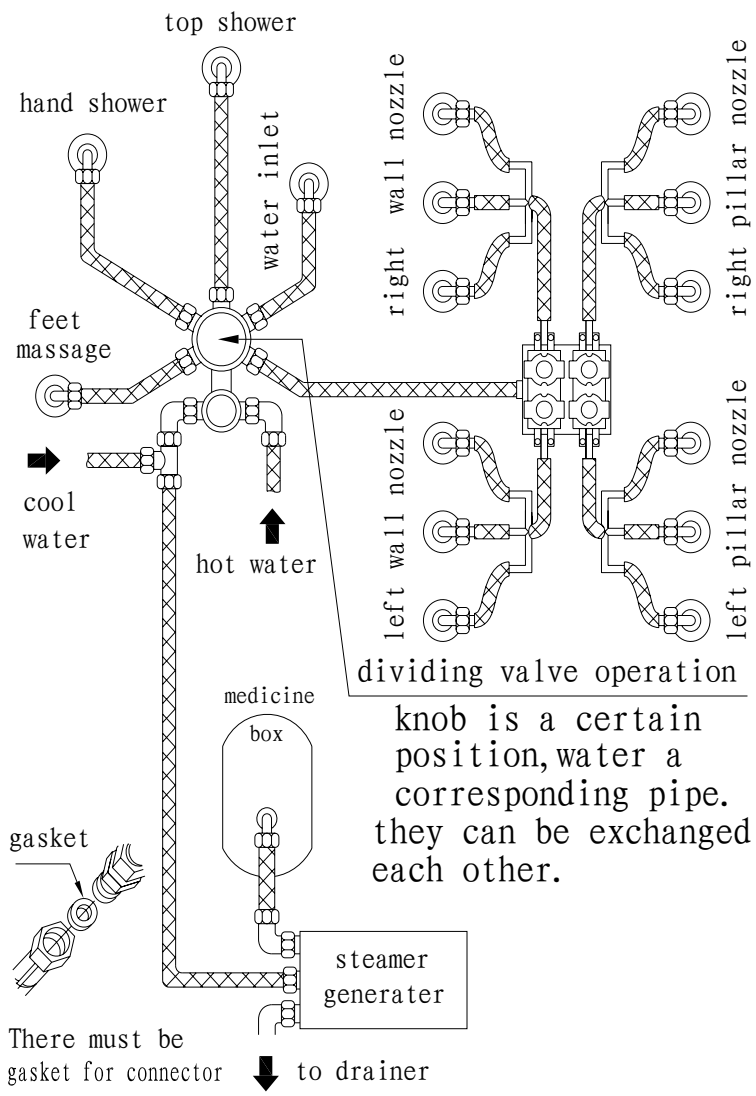


Fig. 6

- 8) Check and adjust any joints, screw the all nuts orderly. The order is: the left wall, the left light pillar, the middle wall, the right light pillar, the right wall, the left and the right wall and the glass assembly, the top cover and the wall body, the glass door, the wall body, the glass door and the basin. (finally drill three through holes( $\Phi 3.2$ ) matched to that of the basin with the electric drill at hemline of the lower rail's inner side, tight the lower rail with the basin by the ST4\*2 tapping screw.)
- 9) Install the plastic strip:
- a) The door strip on rail 
  - b) The waterproof glass strip 
  - c) The glass wedge 
- 10) Join the cold and the hot water pipes and the wire connector; connect the drainpipes of basin and the steam pot to the outlet. (See the waterway sketch and fig.1)
- 11) Test machine:
1. Open switches for cold and hot water, regulate water temperature with the cool hot switch, then test the water of the top shower, the hand shower, the needle nozzle, the adjustable nozzle of water power massage, and the foot sole massager and so on, respectively with the distribute switch.
  2. Electrify. Press the control switch; test switches for steam, light, fan, needle nozzle; try regulating radio and operating computer.
- 12) After trying machine, move the steam room to the scheduled position, seal up all connection slots with the neutral silicone sealant and can use it after 24 hours.

**G 248 waterway sketch:**



**G 248 Installation sketch:**

