

## STEAM ROOM G251

## INSTRUCTIONS FOR THE INSTALLATION



## Installation steps of steam room G251:

- 1) User firstly should install inlet tubes for cold and hot water, and install the drain pipe, three-hole socket etc, according to the request of operation instructions. As fig. 1

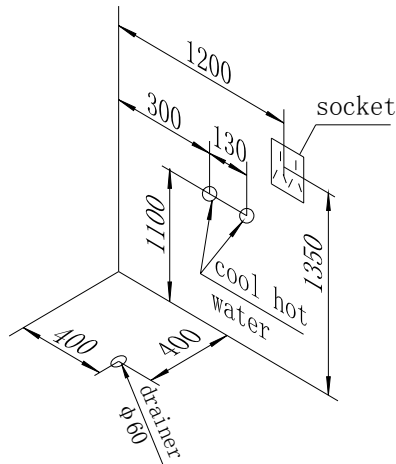


Fig. 1

- 2) Move the bathtub to the scheduled position, level it with the level gauge. The level gauge should be put on two each other vertical positions at least, make the air of the level gauge in the center through regulating the adjustable bolts under the basin. After leveling, screw the lock nut tightly. Move the basin that has been leveled to the place about 400mm apart to the wall. As fig.2

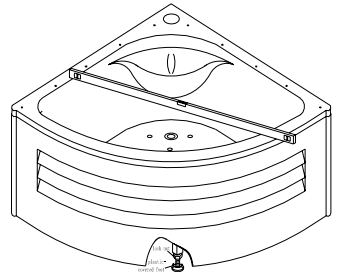


Fig.2

- 3) Install the left and the right wall. Put the left and the right wall stand-up to the level land, connect the left and right wall through the corresponding holes in each of them to the middle light pillar with bolts, and make up the wall assembly. Put the wall assembly on the bathtub, join them with bolts at the corresponding holes. Notice: Install the gaskets and the nuts, but don't tighten them. As fig.3

4) Install the glass assembly: (a) Install the lower rail — Put two pillars on foam cloth , inserted the connector of the lower rail into the notch at the under parts of the two pillars, fasten it tightly with two M5x20 hexagonal bolts from the inside of the pillars. (b) Install the fixed glass and the upper rail — Make two fixed glass inserted to the notch of the two pillars and the lower rail respectively, and Insert the connector of the upper rail into the notch at the upper parts of the two pillars, fasten it tightly with two M5x20 hexagonal bolts from the inside of the pillars. (c) Install the sliding glass door — Penetrate the eccentric wheel into the holes of the sliding door, Pay attention to soft gaskets at both sides, tweak the screw nut slight tightly, And then hang up the sliding door to the notch of the upper and the lower rail. And adjust eccentricity to make the sliding door vertical and sliding flexibly, screw down the nut tightly, make up the glass assembly. Connect the glass assembly with the wall body and the bathtub by bolts, gaskets and nuts, don't tighten them either for the moment. As fig.4, fig.5

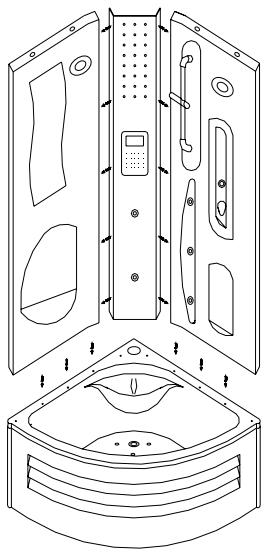


Fig.3

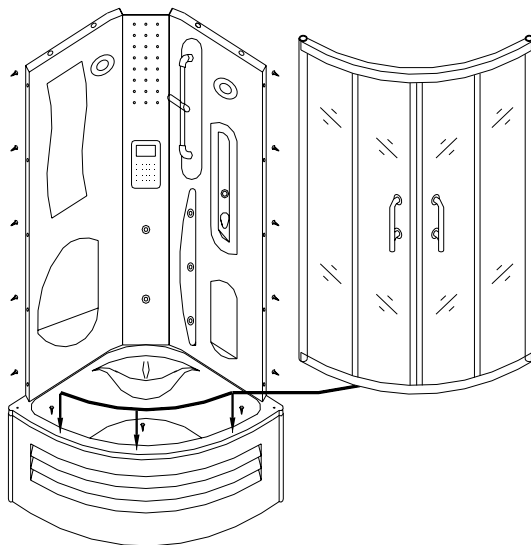


Fig.4

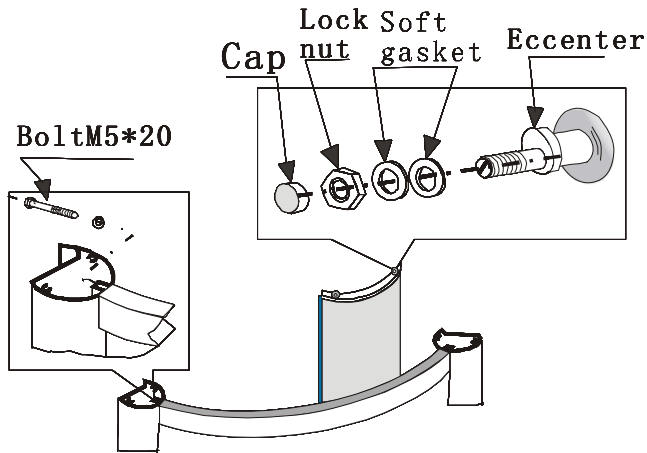
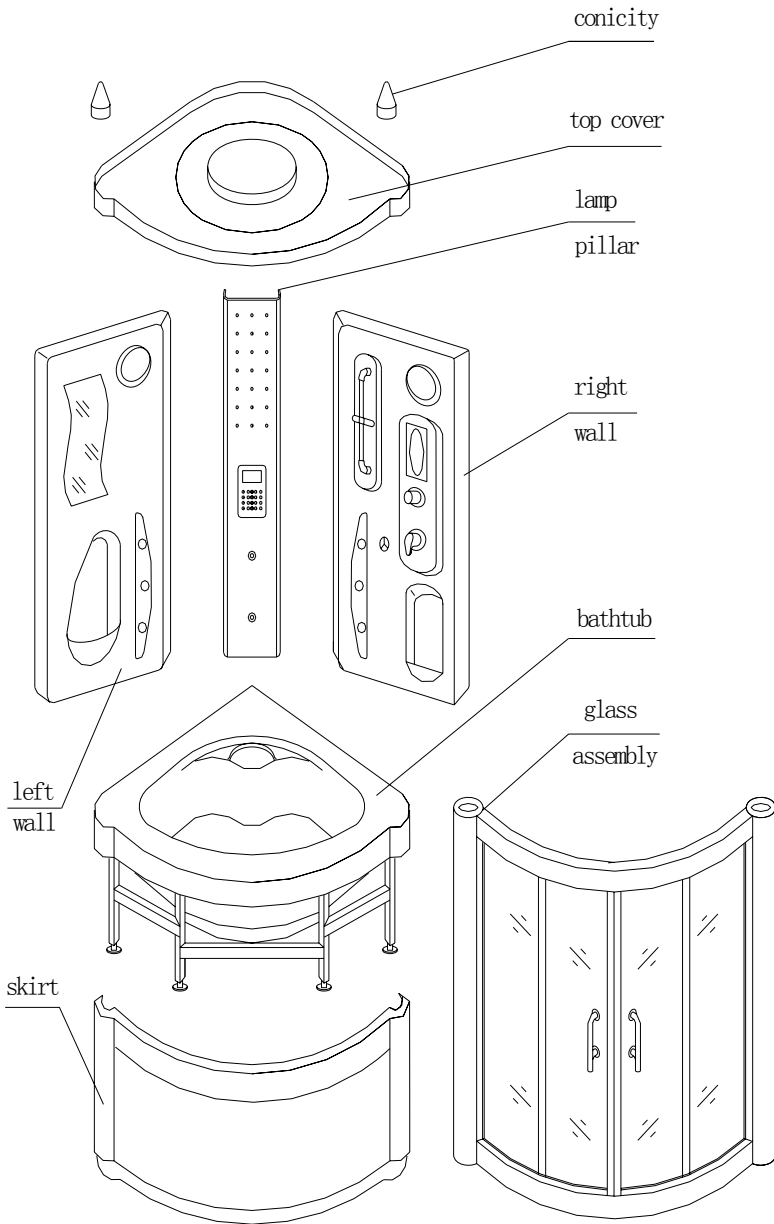


fig.5

- 5) Connect the top cover on the wall assembly and the glass assembly with bolts at the corresponding holes. Notice: Install the washer and the nut, but don't tighten them.
- 6) Check and adjust any joints. Screw all nuts orderly. The order is: the wall body and glass assembly, the top cover and the wall body. The glass door, the wall body, the glass door and bathtub.
- 8) Seal up all connection slot with the neutral silicone sealant and can use it after 24 hours.
- 9) Join hot, cold water pipe and the wire connector, connect the drain pipes of bathtub and the steam pot to the outlet .
- 10) Cold and hot water should have their own switch, while not uses this steam room, please cut off the source of water.
- 11) Test machine: 1) open switch for cold and hot water. Regulate water temperature with the cool hot switch, then test the water way of the top shower, the hand shower, the Acupuncture nozzle, the Adjustable nozzle of water power massage, and the foot sole massager and so on, respectively with the distribute switch.  
2) Electrify. Press the control switch, test switches for steam, light, fan, acupuncture, regulating radio and computer etc.
- 12) After the trying machine, move the steam room to the scheduled position, install the skirt, and then you can start the machine and operate it.

## G 251 installation sketch:



# G251 water way sketch:

