

STEAM ROOM G254/266/267

INSTRUCTIONS FOR THE INSTALLATION

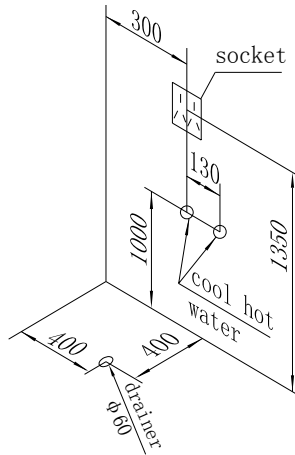


G254, G266, G267 Installation Instruction

1 Installation procedures:

(1) Preparation

User should install inlet tubes for cold and hot water, and install the drain pipe, three-hole socket etc.



(2) Leveling

Move basin (12) to the scheduled position. Adjust fang bolts (12) until the basin is horizontal by lever gauge, and then fasten the fang bolts to fix the height of the basin.

(3) Installing the room body

Put the wall (7) on the basin (12), Join left and right side glasses (6) to the wall (7) with ST4×25 screws (or insert the side glass (6) to the aluminium notch of wall (7)). Make up wall assembly.

(4) Installing glass assembly

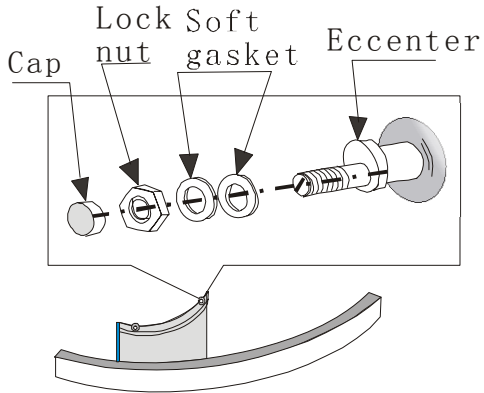
Connect the lower rail (9) and upper rail (4) to the corner pillars (1) with ST4x25 tapping screws, and then insert the left and right fixed glasses (5) into notch of left and right corner pillar and rails. Lift them on the basin (12), insert and connect them to the wall assembly. Make up room body.

(5) Installing top cover

Put the top cover (8) onto the top of the room body, join the top cover (8) with the upper rail (4) by ST4×16 tapping screws. Then fix the top cover on the room body with M5×30 bolts.

(6) Installing sliding door

Penetrate the eccentric wheel (10) into the holes of the sliding door (3), There must be soft gaskets at both sides, tweak the screw nut slight tightly, And then hang up the sliding door to the notch of the upper and the lower rail. And adjust eccentricity to make the sliding door vertical and sliding freely and smoothly.



(7) Tightening screws

Tighten all screws in symmetrical order.

(8) Water and electricity connection

Connect electrical wiring and water pipeline according to the wiring and piping labels.

(9) Sealing the room body

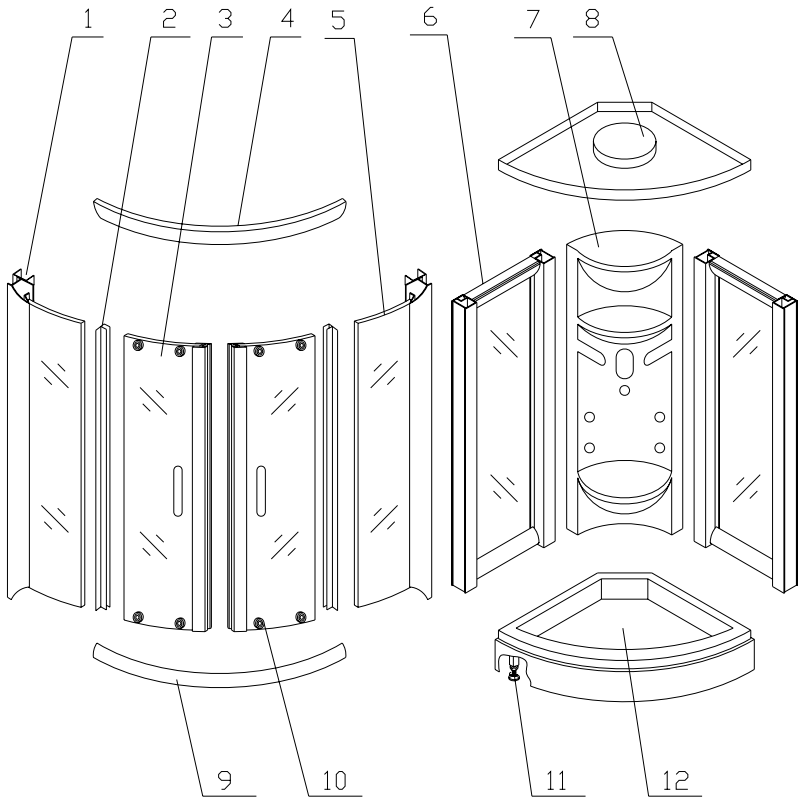
After the room bodies are assembled, to seal up all connect slot with neutral silicone sealant.

(10) Test operation

Test the machine according to the operating manual, switch on the power and water supply and check for any leakage of water, electricity or steam. Then move it to the scheduled position.

2. G254 G266 G267 Installation sketch

- (1) Corner pillar
- (2) Waterproof strip
- (3) Sliding glass
- (4) Upper rail
- (5) Fixed glass
- (6) Side glass
- (7) Wall
- (8) Top cover
- (9) Lower rail
- (10) Wheel
- (11) Fang bolt
- (12) Basin



3. G254 G266 G267 water way sketch:

