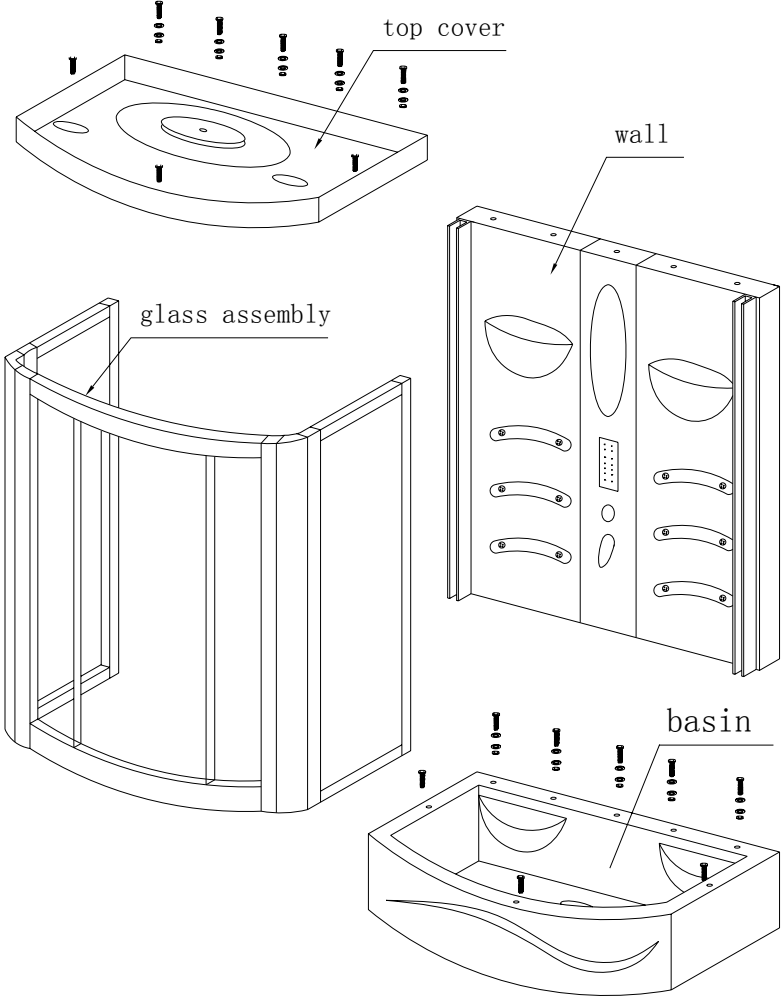


## STEAM ROOM G257

## INSTRUCTIONS FOR THE INSTALLATION



# G257 Installation sketch



## G257 Installation procedure:

1. Adjust plastic-covered feet -----move the basin to a suitable position, adjust the plastic-covered foot at the bottom, to make it contact the ground. As fig.1

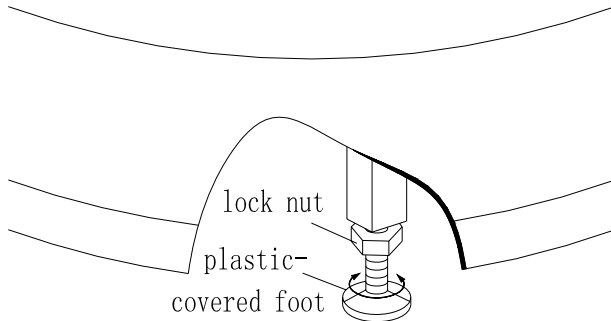


Fig. 1

2. Leveling-----Put a level gauge on the basin (as fig. 2 show), measure the basin whether it is level. If not, please loosen the locknut of the fang bolt, level the basin by adjusting the plastic-covered foot (namely the air of the level gauge in the center), then tighten the locknut. This step is very important, if the basin is not level, it will cause the room body slope, unstable, difficulty to install bolts and can not close the door and so on.

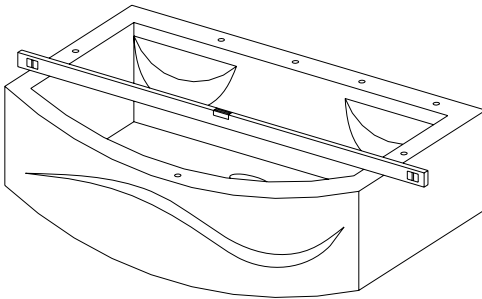


Fig.2

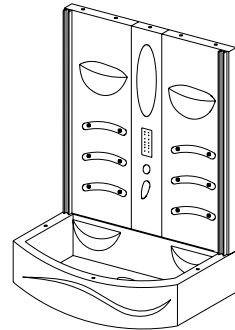


Fig.3

3. Install the wall. Put the wall on the bathtub, and then join the wall with the bathtub by bolts at the corresponding holes. Notice: Install the gaskets and the nuts, but don't tighten them. As fig.3

4. Install the room assembly: Insert the side glass assembly and the door assembly to the corner pillar, make up the glass

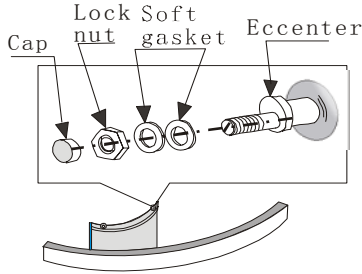


Fig4

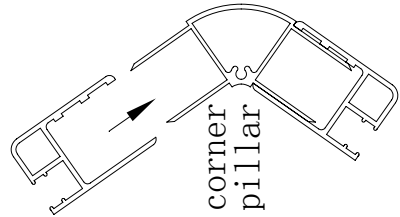


Fig.5

assembly, inserted the glass assembly to the wall assembly's aluminium notches. (c) Install the sliding glass door — Penetrate the eccentric into the holes of the sliding door (There must be soft gaskets at both sides.) Tweak the screw nut slight tightly, and then hang up the sliding door to the notch of the upper and the lower rail. And adjust eccentricity to make the sliding door vertical and sliding flexibly, screw down the nut tightly. Fig.4, Fig.5, Fig.6.

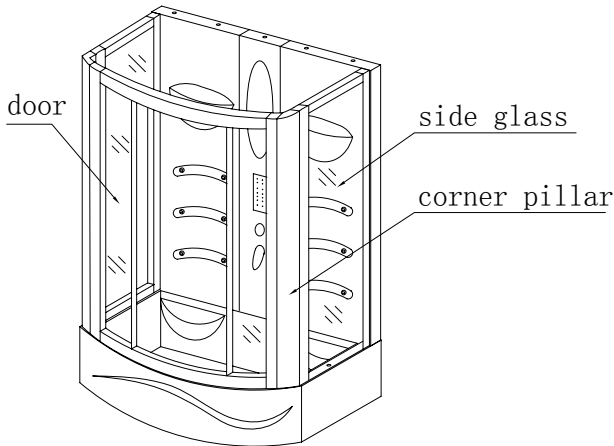


Fig.6


6. Connect the top cover on the wall assembly and the glass assembly with bolts at the corresponding holes. Notice: Install the washer and the nut, but don't tighten them.

3

7. Regulate the vertical degree and the torsion, the position

of the wall assembly, the glass assembly and the top cover, make its door closed well, screw down all nuts.

8. Install the plastic strip

1) Trail plastic strip: 

2) The waterproof glass strip 

9. Seal up all connection slot with the neutral silicone sealant and can use it after 24 hours.

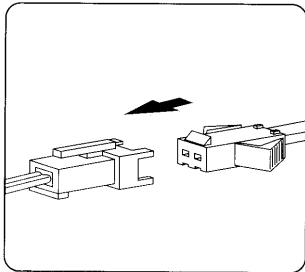
10. Test machine:

1) Open switch for cold and hot water. Regulate water temperature with the cool hot switch, then test the water way of the top shower, the hand shower, the Acupuncture nozzle respectively with the distribute switch.

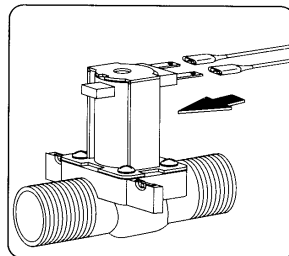
2) Electrify. Press the master switch, and try switches for steam, light, fan, acupuncture, regulating radio and computer etc.

11. After trying machine, move the steam room to the scheduled position, and then you can start the machine and operate it.

### Electricity connector, electromagnetic valve sketch:



The connector of light, speaker, fan etc.



electromagnetic valve wire connector

# Water way sketch for G257:

