

STEAM ROOM G258

INSTRUCTIONS FOR THE INSTALLATION



Installation steps for steam room

G258

1. Install inlet tubes for cool and hot water, and install the drain pipe, three-hole outlets etc at scheduled place. Fig. 1.

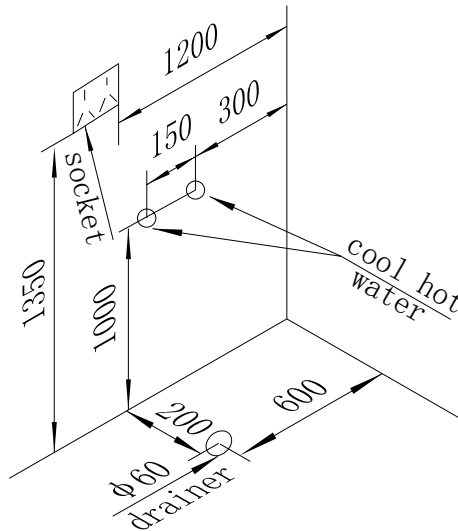


Fig. 1

2. Move the basin to the scheduled position, level it with the level gauge. The level gauge should be two each other vertical positions at least, make the air of the level gauge in the center through regulating the adjustable bolts under the basin. After leveling, screw the adjustable nut tightly. Fig.2.

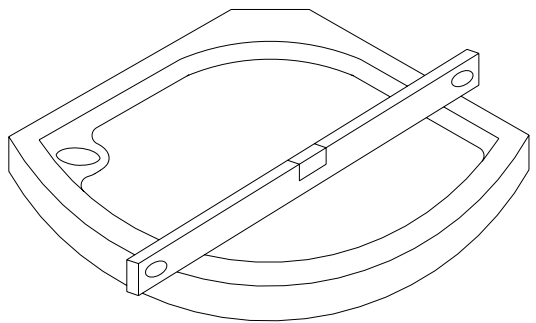



Fig.2

3. Connect the side pillar and the low guide rail with ST4x25

tapping screw, put the fixed glass, the upper rail in its position, connect them with ST4x25 tapping screws. Penetrate the eccentric wheel into the holes of the sliding door, There must be soft gaskets at both sides, tweak the screw nut slight tightly, And then hang up the sliding door to the notch of the upper and the lower rail. And adjust eccentricity to make the sliding door parallel, vertically. The under parts of the sliding door is apart from the basin about 3 to 8mm. After sliding freely, screw the nut tightly. Then put door plastic strip  in the guide rail's notch. Make up glass assembly, (Fig.4, Fig.5). May install the sliding door after step 7.

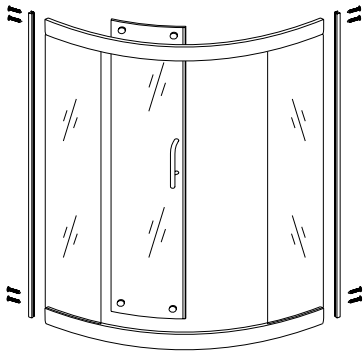


Fig.4

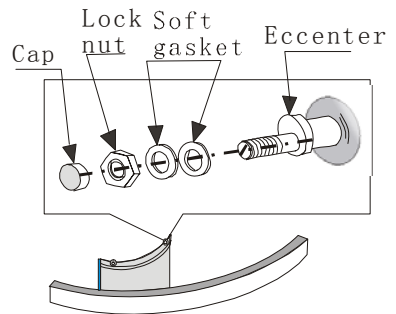


Fig.5

4. Connect left, right and middle wall with M6x30 bolts, make up wall assembly. Fig.6, Fig. 7.

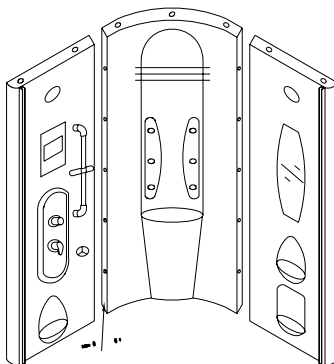


Fig.6

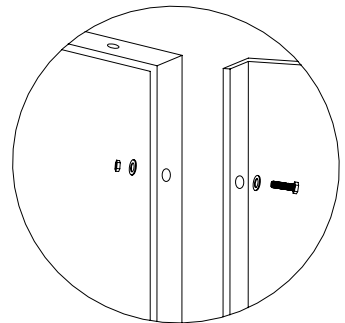


Fig. 7

5. Move basin out, put the wall assembly onto basin, and then fix

them with M6x30 bolts (Fig.8, Fig. 9).

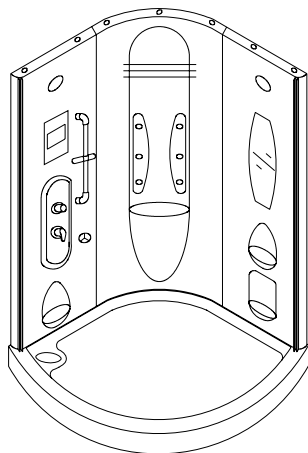


Fig. 8

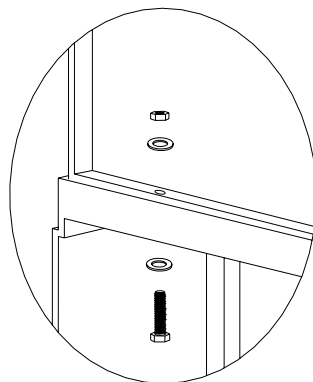


Fig. 9

6. Put the glass assembly onto the basin, insert them to the aluminium notch of wall assembly, and make up the room assembly.

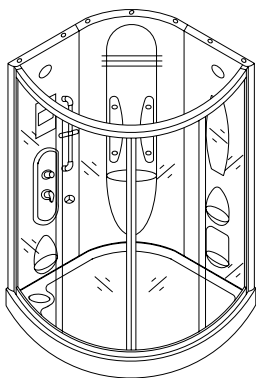


Fig.10

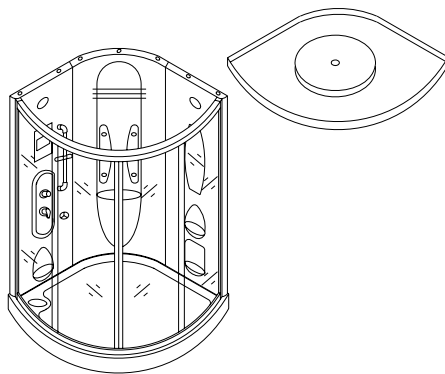




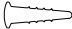
Fig.11.

7. Install the top cover: put cover onto the body, fix with M6x30 screws; fix cover and top guide rail with ST4x16. Fig.11.

8. Install top shower, hand shower, foot massage and handle.

Join the cold and the hot water pipes and the wire connector; connect the steam pot to the outlet. (See the waterway sketch and fig.1)

9. Install the plastic strip:

- a) Trail plastic strip: 
- b) The waterproof glass strip 
- c) The glass wedge 

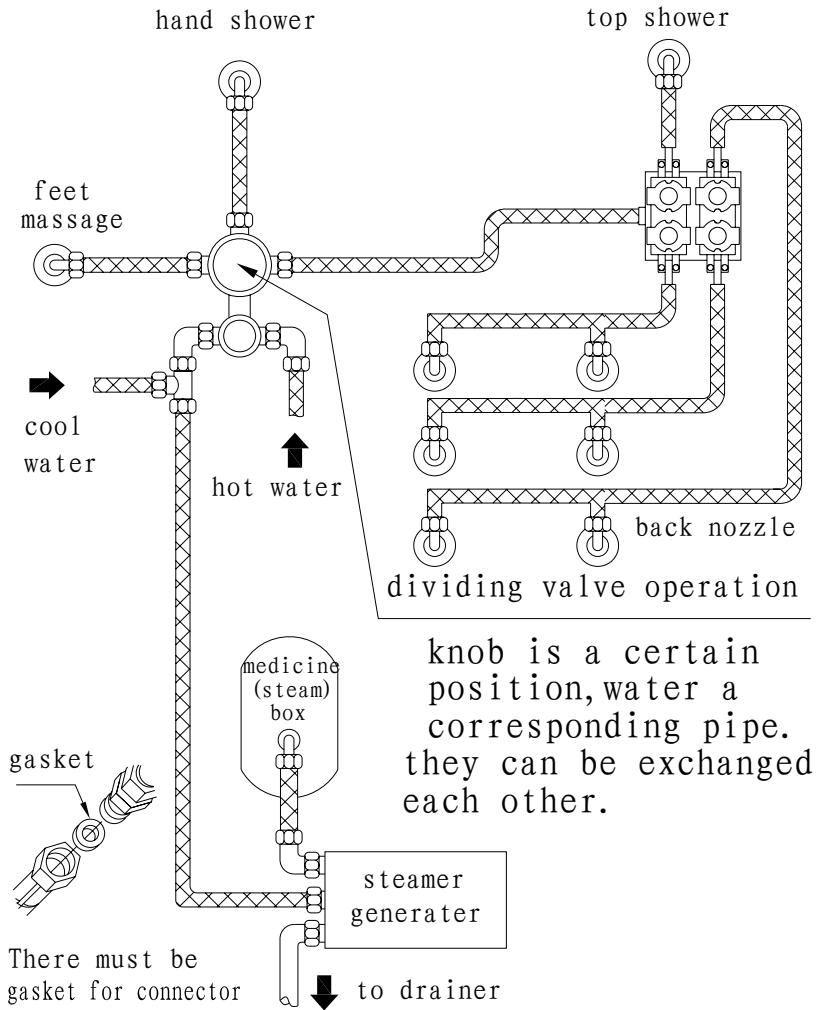
10. Test machine:

(1). Open switches for cold and hot water, regulate water temperature with the cool hot switch, then test the water of the top shower, the hand shower, the needle nozzle, the adjustable nozzle of water power massage, and the foot sole massager and so on, respectively with the distribute switch.

(2). Electrify. Press the control switch; test switches for steam, light, fan, needle nozzle; try regulating radio and operating computer.

11. After trying machine, move the steam room to the scheduled position, seal up all connection slots with the neutral silicone sealant and can use it after 24 hours.

Waterway sketch of the steam room G258



Assembly sketch of the steam room G258

