

STEAM ROOM G264/265

INSTRUCTIONS FOR THE INSTALLATION



Installation steps of shower / steam room G264 G265:

- 1) User should install inlet tubes for cold and hot water, and install the drain pipe, three-hole socket etc. As fig. 1

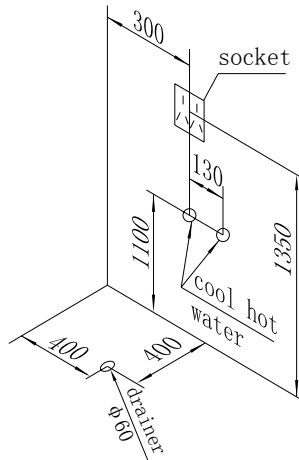


Fig. 1

- 2) Move the bathtub to the scheduled position, level it with the level gauge. The level gauge should be put on two each other vertical positions at least, make the air of the level gauge in the center through regulating the adjustable bolts under the basin. After leveling, screw the lock nut tightly. Move the basin that has been leveled to the place about 400mm apart to the wall. As fig.2

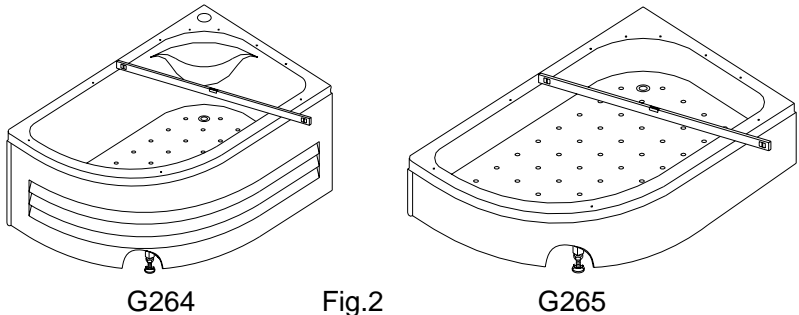


Fig.2

- 3) Install the middle wall to the bathtub with bolts, and then connect the left and the right side glass with middle wall by tapping screws (G264). As to G265: insert the left and right side glass in the middle wall's aluminium bar, and make up the wall assembly. As fig.3

- 4) Install the glass assembly: (a) Install the lower rail — Put two side pillars on foam cloth, connect the lower rail with the under parts of the two side pillars, fasten them tightly with four ST4x25 tapping screws from the side of the pillars. (b) Install the fixed glass and the upper rail — Make two fixed glass inserted in the notch of the two side pillars and the lower rail respectively, and connect the upper rail with the upper parts of the two side pillars, fasten them tightly with four ST4x25 tapping screws from the side of the pillars. (c) Install the sliding glass door — Penetrate the eccentric wheel into the holes of the sliding door, there must be soft gaskets at both sides, tweak the screw nut slight tightly, And then hang up the sliding door to the notch of the upper and the lower rail. And adjust eccentricity to make the sliding door vertical and sliding free, screw down the nut tightly, and make up the glass assembly. Insert the glass assembly's notch in the wall assembly and, connect with the bathtub by 3 ST4x20 tapping screws, don't tighten them either for the moment. As fig.4, fig.5

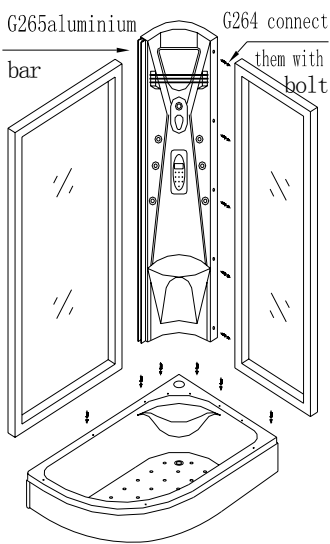


Fig.3

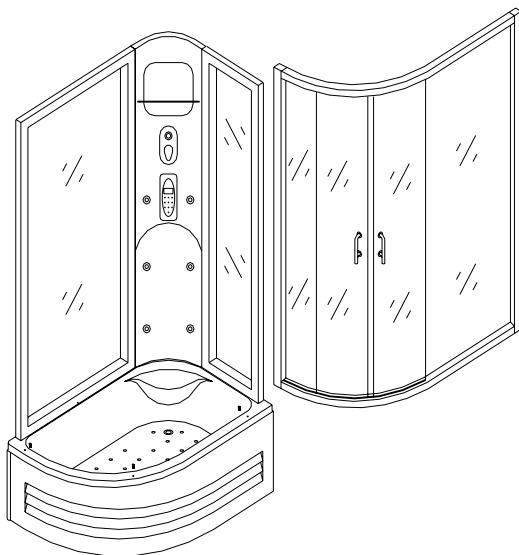


Fig.4

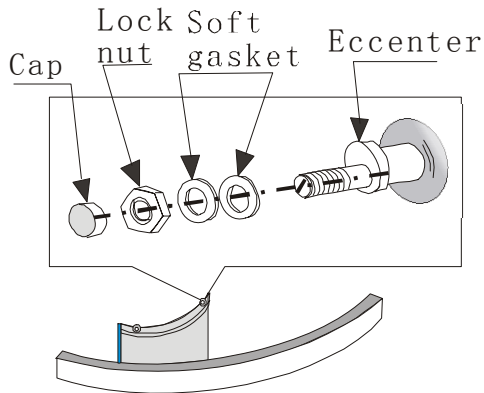


Fig.5

- 5) Connect the top cover on the wall assembly and the glass assembly with bolts at the corresponding holes. Notice: Install the washer and the nut, but don't tighten them.
- 6) Check and adjust any joints. Screw all nuts orderly. The order is: the wall body and glass assembly, the top cover and the wall body, the glass door, the wall body, the glass door and basin.
- 8) Seal up all connection slot with the neutral silicone sealant and can use it after 24 hours.
- 9) Join hot, cold water pipe and the wire connector, connect the drain pipes of bathtub and the steam pot to the outlet .
- 10) Cold and hot water should have their own switch, while not uses this steam room, please cut off the source of water.
- 11) Test machine: 1) open switch for cold and hot water. Regulate water temperature with the cool hot switch, then test the water way of the top shower, the hand shower, the Acupuncture nozzle respectively with the distribute switch.
2) Electrify. Press the control switch, test switches for steam, light, fan, acupuncture, regulating radio and computer etc.
- 12) After the trying machine, move the steam room to the scheduled position, install the skirt, and then you can start the machine and operate it.

G264 G265 water way sketch:

